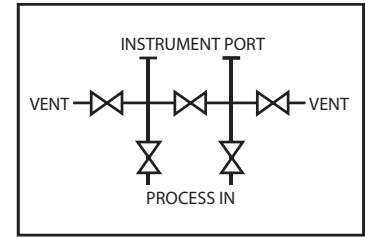


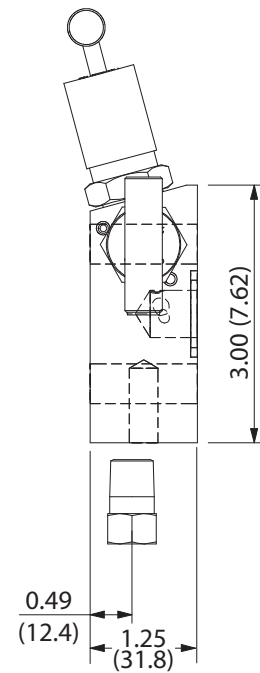
5-Valve General Purpose Manifold-Direct Mount

Dimensions

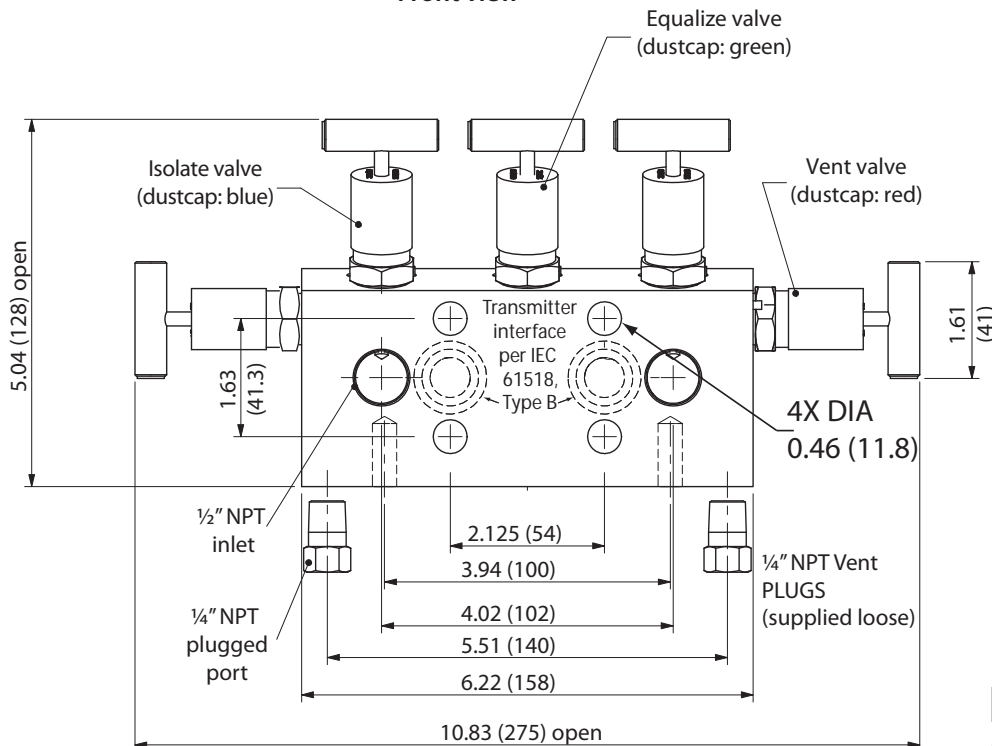
Dimensions in inches (millimeters) are for reference only and are subject to change.



Side view



Front view



How to Order

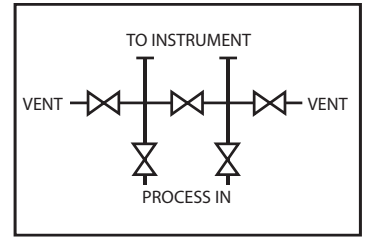
PART NUMBER	PACKING
GP851211F8YL	PTFE
GP851212F8YL	Grafoil

Mounting kit—Order No. 800000K1 (page 8)
 1.5" mounting bolts for Honeywell transmitter
 (4 required) — Order No. 095-0411-100

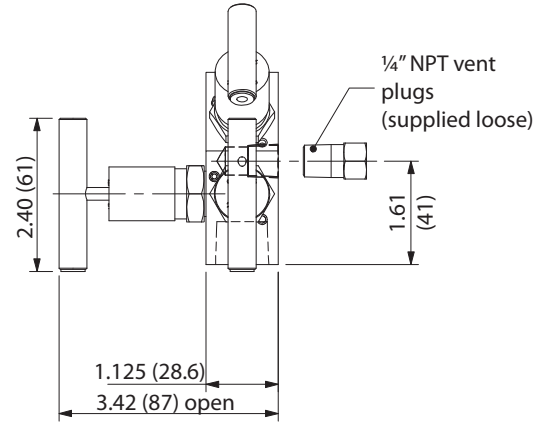
5-Valve General Purpose Manifold-Remote Mount

Dimensions

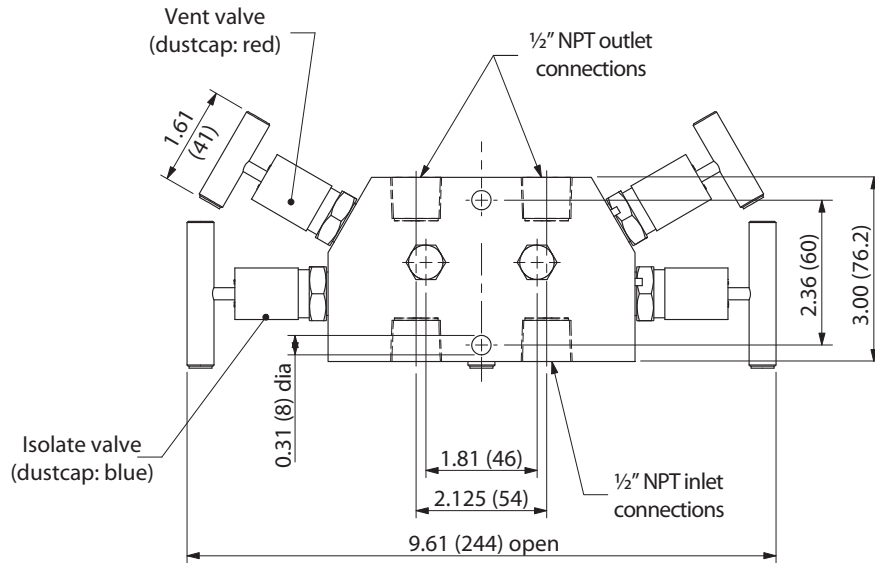
Dimensions in inches (millimeters) are for reference only and are subject to change.



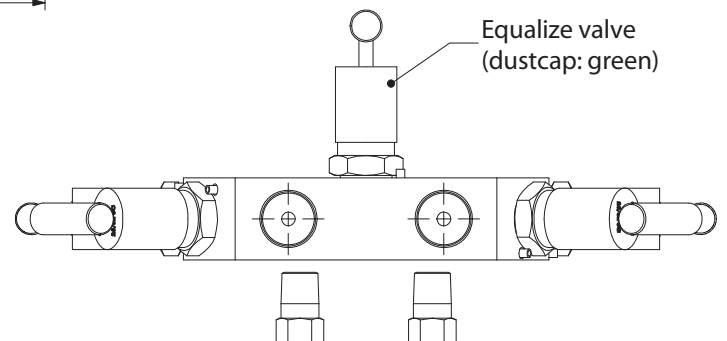
Right side view



Back view



Top view



How to Order

PART NUMBER	PACKING
GP853211F8YL	PTFE
GP853212F8YL	Grafoil

Mounting kit—Order No. 800000K2 (page 8)