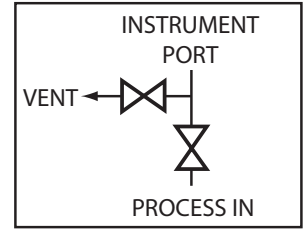


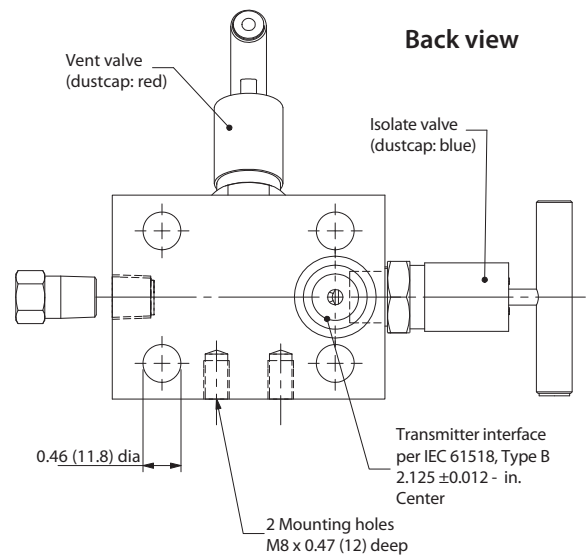
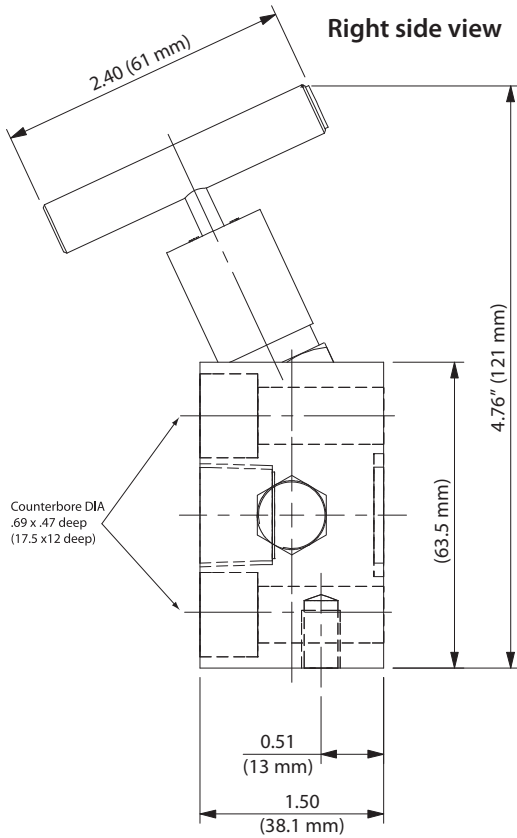
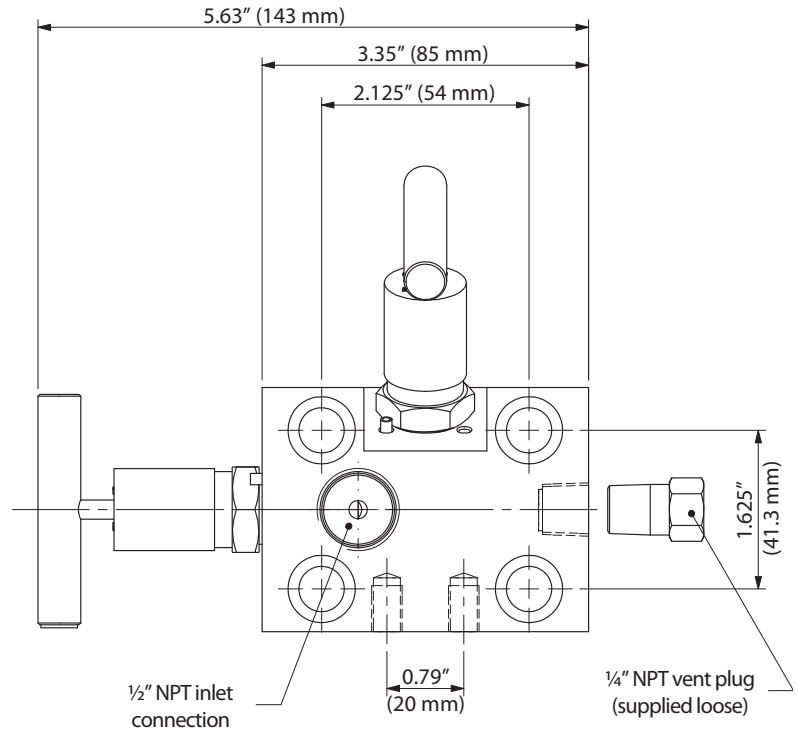
2-Valve General Purpose Manifold-Direct Mount

Dimensions

Dimensions in inches (millimeters) are for reference only and are subject to change.



Front view



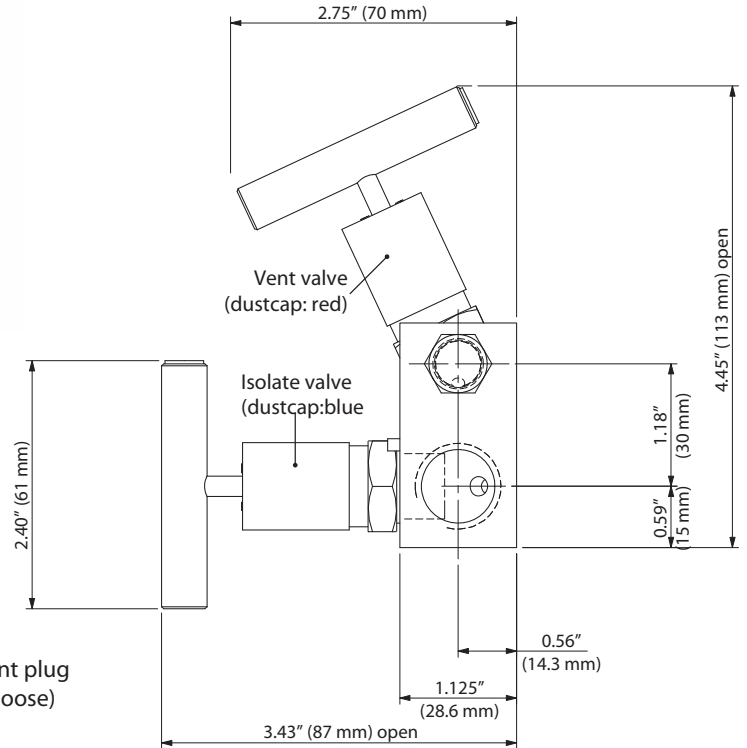
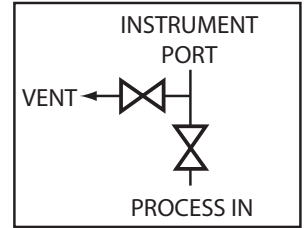
How to Order

PART NUMBER	PACKING	ACCESSORIES (NOT INCLUDED)
GP821211F8YL	PTFE	Mounting kit—Order No. 800000K1 (page 8)
GP821212F8YL	Grafoil	1.5" mounting bolts for Honeywell transmitter (4 required) — Order No. 095-0411-100

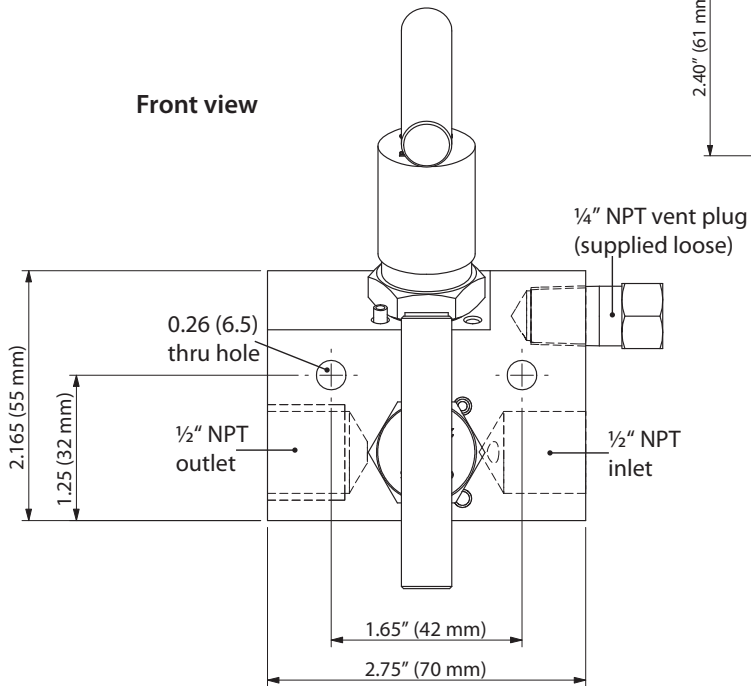
2-Valve General Purpose Manifold-Remote Mount

Dimensions

Dimensions in inches (millimeters) are for reference only and are subject to change.



Front view



Right side view

How to Order

PART NUMBER	PACKING
GP823211F8YL	PTFE
GP823212F8YL	Grafoil

Mounting kit—Order No. 80000K2 (page 8)