

GO REGULATOR

CPR-5 Series

Compact Stainless Steel Pressure Regulator



The CPR-5 Series pressure control valve is designed for service at high flows with good sensitivity and regulation utilizing a small footprint. While the design was originated for gas systems, this valve is perfectly suitable for liquid systems that are compatible with the materials of construction. Also of interest is the fact that while being able to perform with moderately high flows, this valve also provides very good performance in flow ranges of only a few liters a minute.

This series is a variation of the time proven CPR-1 Series which has been used for many applications in systems requiring stainless steel construction. The exact package size of the CPR-1 has been retained making it convenient for the user to interchange these units if better control at higher flows is required.

Features & Specifications

- Gas or liquid service
- 316L stainless steel construction
- Teflon®/stainless steel diaphragm up to 250 psig
- Teflon®/Viton® diaphragm up to 50 psig
- Electropolished body with better than 25 Ra finish in diaphragm
- 40 micron inlet filter
- Bubble-tight shutoff
- Outlet pressure ranges are 0-10, 0-25, 0-50, 0-100 and 0-250 psig
- Cv flow coefficient 0.2

pressure regulators

GO Regulator

405 Centura Court • PO Box 4866 • Spartanburg, SC 29303
Phone (864) 574-7966 Fax (864) 574-5608
www.goreg.com • sales@goreg.com

CPR-5 Series

How to Order

CPR5 -

BODY MATERIAL

- 1 316L stainless steel

PORT CONFIGURATION

- A Standard

For more port configurations, see page 35.

PROCESS PORT TYPES

(GAUGE PORT TYPES, IF SPECIFIED)

- 0 1/8" FNPT (1/8" FNPT gauge ports)
- 2 1/4" tube stub, 2" long (1/4" FNTP gauge ports)
- G 6mm tube stub, 2" long (6mm FNTP gauge ports)

SURFACE FINISH OF DIAPHRAGM CAVITY

- 1 < 25 Ra

SEAT MATERIAL

- D Viton®
- E EPR
- J Buna N
- K Kalrez®

FLOW COEFFICIENT (Cv)

- 5 0.2

CAP ASSEMBLY

- 1 Standard, aluminum
- 4 Panel mount, aluminum
- 5 Captured vent, aluminum
- 7 Captured vent, stainless steel
- 8 Tamper-proof, aluminum
- 9 Fine adjust, 1/2" panel mount, aluminum
- 0 Fine adjust, 1 3/8" panel mount, aluminum

DIAPHRAGM FACING/BACKING/ O-RING MATERIAL

- 1 Tefzel® ring/stainless steel/Teflon®
- 2 Teflon®/Viton®/Viton®
- 7 Tefzel® ring/stainless steel/Viton®

DIAPHRAGM TYPE

- 1 Standard, Nylon dia. slip ring (170° F maximum temperature)
- 2 Standard, Polyimide dia. slip ring (high temperature service)

OUTLET RANGE

- C 0-10 psig
- D 0-25 psig
- E 0-50 psig
- G 0-100 psig
- I 0-250 psig

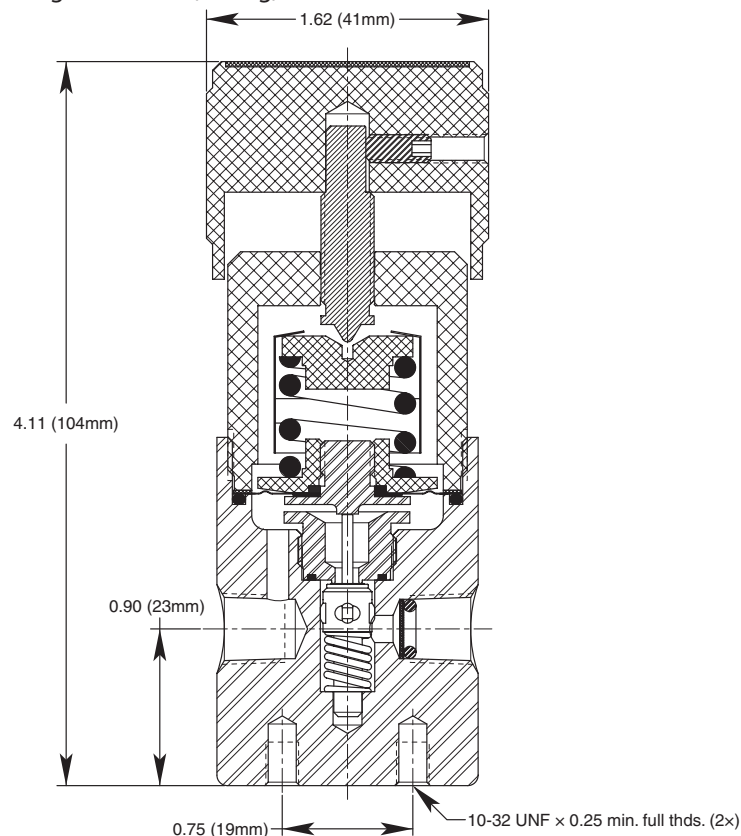
NOTE: The choices above represent an abbreviated list of the more commonly ordered options. For a complete listing of all available options, please see the Selection Wizard on the GO website at www.goreg.com or contact the factory.

Maximum Temperature & Operating Inlet Pressures

SEAT MATERIAL	MAXIMUM TEMPERATURE	@	MAXIMUM OPERATING INLET PRESSURE
Viton®	400° F (204° C)	@	300 psig (2.07 MPa)
EPR	150° F (66° C)	@	300 psig (2.07 MPa)
Buna N	150° F (66° C)	@	300 psig (2.07 MPa)
Kalrez®	400° F (204° C)	@	300 psig (2.07 MPa)

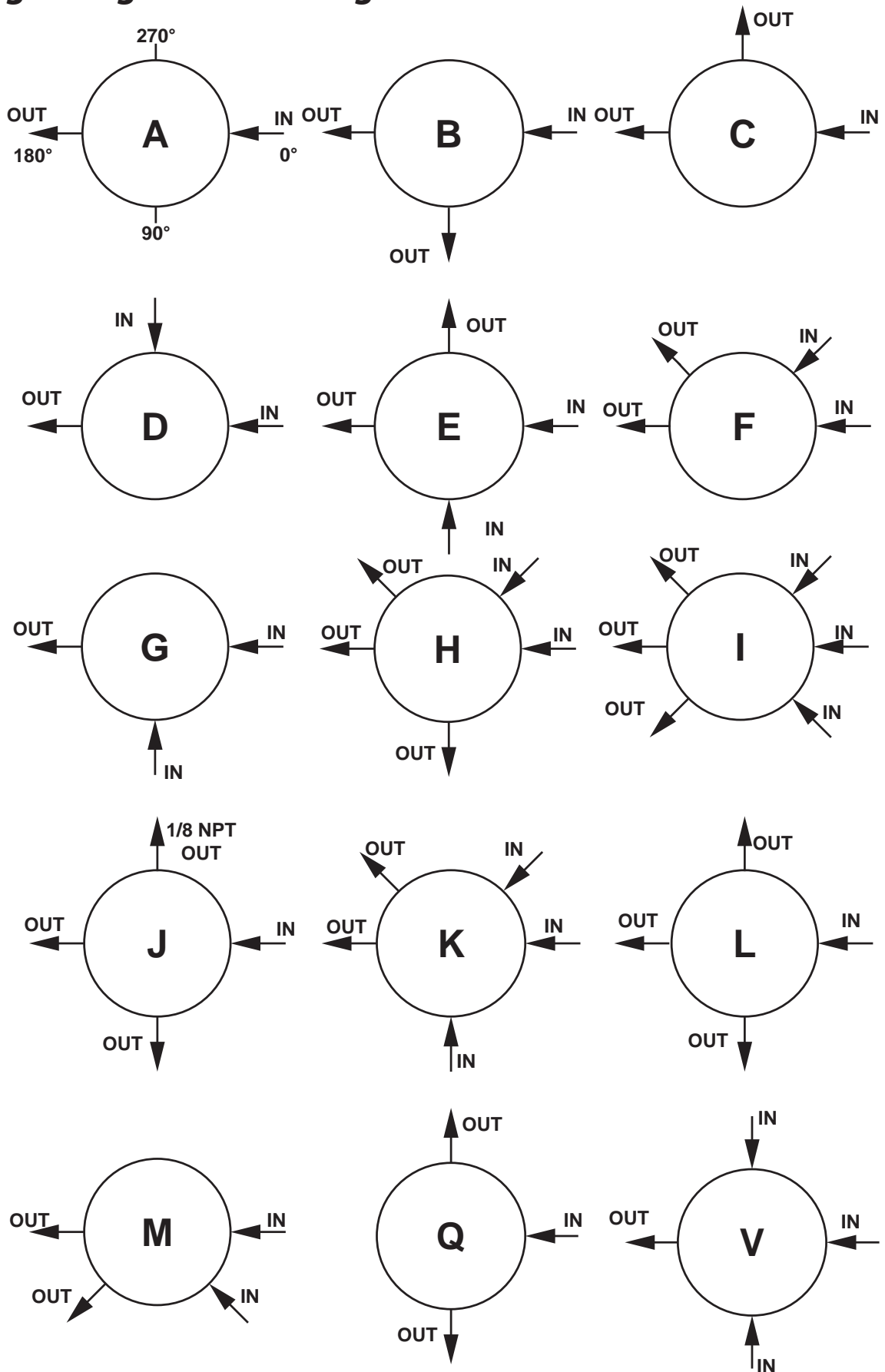
Outline and Mounting Dimensions

Weight = 1.1 lbs (0.50kg)



Teflon® and Tefzel® are registered trademarks of the DuPont Company.
Kalrez® and Viton® are registered trademarks of DuPont Dow Elastomers.

Porting Configurations for Single Stage Pressure Regulators



LOCATION OF PORTS FROM
TOP VIEW