

GO REGULATOR

PR-9 Series

High Temperature Stainless Steel Pressure Regulator



The PR-9 Series high temperature pressure regulator is designed for the pressure control of gases and liquids up to 1000° F. All metal components in and out of the flow stream provide the user with extended reliability in rigorous high temperature ambient and process applications. This regulator can also be used in applications where no elastomers are allowed in the flow stream. The PR-9 is equipped with a metal-to-metal seat and will not provide bubble-tight shutoff. If shutoff is required, a high temperature shutoff valve must be placed upstream of this regulator

Features & Specifications

- 650° F (340° C) or 1000° F (540° C)
- All metal construction, no elastomers
- Gas or liquid service
- Inlet pressure 3000 psig at 650° F (343° C), 1500 psig at 1000° F (538° C)
- Adjustable outlet pressure ranges of 0-25, 0-50, 0-100 and 0-250 psig
- Stainless steel (316L or 347), Inconel®, tungsten carbide in flow stream
- Cv flow coefficient of 0.06 and 0.2
- Metal-to-metal seat seal
- Inlet and outlet connections ¼" FNPT
- Operating temperature -382° F (-200° C) to +1000° F (+540° C)

Options

- ⅜" FNPT connection and ¼" pipe stub
- Panel mount (requires 1⅜" mounting hole)
- Extra inlet and outlet ports
- Special welded connections

pressure regulators

GO Regulator

405 Centura Court • PO Box 4866 • Spartanburg, SC 29303
Phone (864) 574-7966 • Fax (864) 574-5608
www.goreg.com • sales@goreg.com

PR-9 Series

How to Order

PR9 –

BODY MATERIAL

- 1 316L stainless steel (650° F)
- 9 347 stainless steel (1000° F)

PORT CONFIGURATION

- A Standard

For more port configurations, see page 35

PROCESS PORT TYPES

(GAUGE PORT TYPES, IF SPECIFIED)

- 1 ¼" FNPT (¼" FNPT gauge ports)
- 2 ¼" tube stub, 2" long (¼" FNTP gauge ports)
- 3 ¼" sch 80 pipe stub, 4" long (¼" FNPT gauge ports)
- 4 ⅜" FNPT (¼" FNPT gauge ports)
- D ¼" pipe socket (¼" FNPT gauge ports)
- 6 ½" tube stub, 2" long (¼" FNTP gauge ports)
- B ¼" internal VCR® (¼" tube gauge ports)
- C ⅜" tube stub (¼" FNTP gauge ports)
- K ¼" sch 40 pipe stub, 4" long (¼" FNPT gauge ports)
- S ¼" MVCR (¼" tube gauge ports)

SURFACE FINISH OF DIAPHRAGM CAVITY

- 1 < 25 Ra

CAP ASSEMBLY

- 1 Standard, stainless steel
- 4 Panel mount, stainless steel
- N Contained bonnet, stainless steel

DIAPHRAGM LINER/BACKING

- G Tantalum

DIAPHRAGM TYPE

- 1 Standard

OUTLET RANGE

- C 0–10 psig
- D 0–25 psig
- E 0–50 psig
- G 0–100 psig
- I 0–250 psig

FLOW COEFFICIENT

- 3 0.06
- 5 0.2

SEAT MATERIAL

- M 347 stainless steel

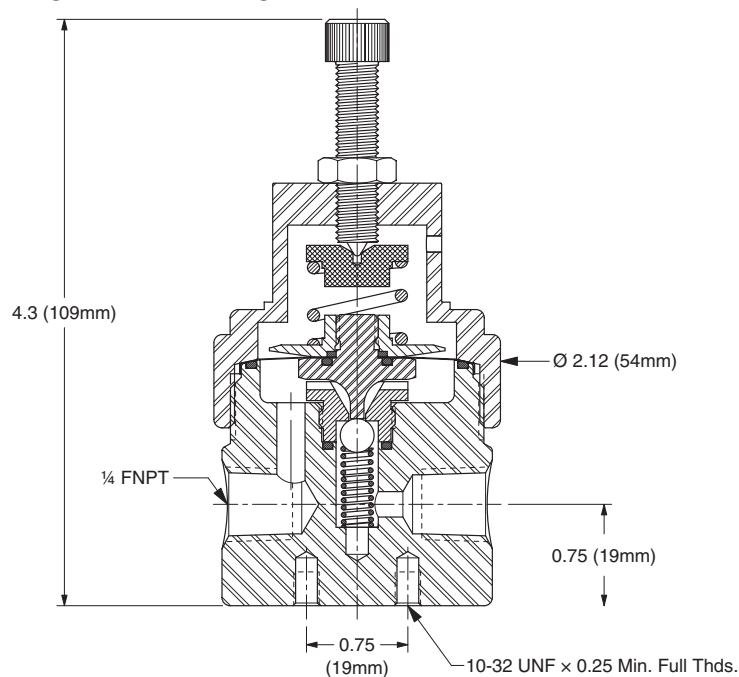
NOTE: The choices above represent an abbreviated list of the more commonly ordered options. For a complete listing of all available options, please see the Selection Wizard on the GO website at www.gore.com or contact the factory.

Maximum Temperature & Operating Inlet Pressures

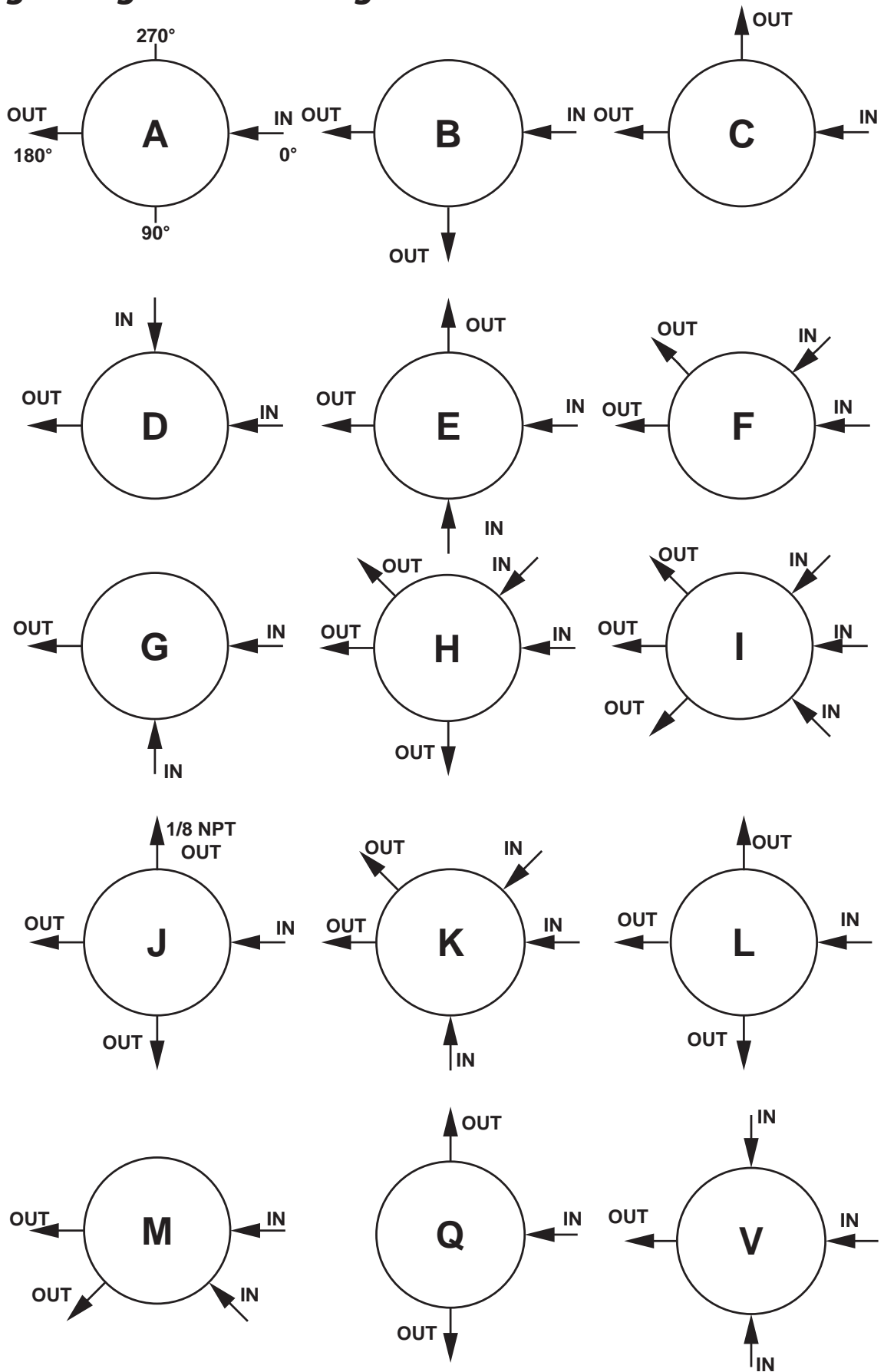
| SEAT MATERIAL | MAXIMUM TEMPERATURE | @ | MAXIMUM OPERATING INLET PRESSURE |
|---------------------|---------------------|---|----------------------------------|
| 316 stainless steel | 650° F (343° C) | @ | 3000 psig (20.68 MPa) |
| 347 stainless steel | 1000° F (538° C) | @ | 1500 psig (10.34 MPa) |

Outline and Mounting Dimensions

Weight = 2.1 lbs (0.95kg)



Porting Configurations for Single Stage Pressure Regulators



LOCATION OF PORTS FROM TOP VIEW