

GO REGULATOR, INC.

A division of CIRCOR International, Inc.



BP-8LF Series High Sensitivity Back Pressure Regulator

The BP-8LF Series back pressure regulator is designed to furnish precise low back pressure control in analytical instrumentation. With the combination of the large diaphragm sensing area of the BP-8 Series Regulator and the low flow seat assembly of the BP-3 Series pressure regulator, pressure control down to 10 inches of water is easily obtainable.

Features & Specifications

- Sensitive pressure control
- Low pressure adjustability
- Stainless steel
- Optional Monel or Hastelloy C construction
- Adjustable pressure ranges 0–6, 0–25, 0–50, 0–75, 0–125, 0–250 & 0–500 psig
- C_v flow coefficient 0.2 standard
- Teflon® / Viton® diaphragm, standard (optional: Teflon / Stainless Steel)
- Operating temperatures of -40° F (-40° C) to +500° F (+260° C)
- Inlet and outlet connections 1/4" FNPT
- Optional C_v —0.03, 0.05, 0.06, 0.12, 0.24, 0.3, 0.095, 0.025, 0.04, 0.005, 0.01

2301 Wardlow Circle
Corona, CA 92880
tel 909.270.6200
fax 909.270.6201
www.goreg.com
sales@goreg.com

BP-8LF SERIES

High Pressure Back Pressure Regulator

How to Order

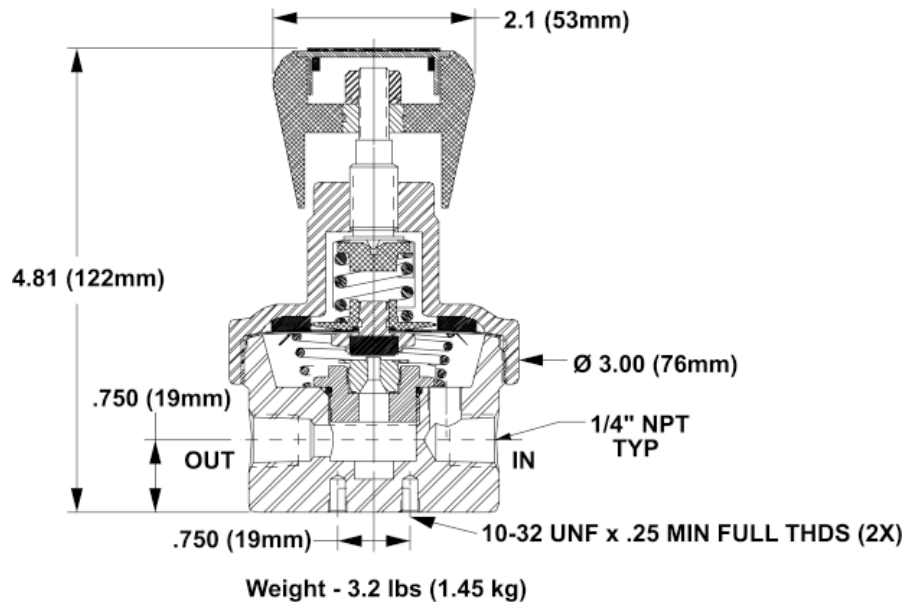
See page 3 for standard configurations. For additional configurations, consult the factory.
See page 4 for port locations.

Maximum Temperature & Control Pressures

Seat Material	Maximum Temperature*	@	Maximum Control Range Pressure
Viton®	250° F (121° C)	@	500 psig (5.16 MPa)
Kalrez®	300° F (148° C)	@	500 psig (5.16 MPa)
High Density Teflon®	200° F (93° C)	@	500 psig (5.16 MPa)
Polyimide	500° F (260° C)	@	500 psig (5.16 MPa)

* Temperatures in excess of 175° F (80° C) require the use of a T-handle or the tamper proof option.
Viton®, Kalrez® and Teflon® are registered trademarks of Dupont.

Outline and Mounting Dimensions



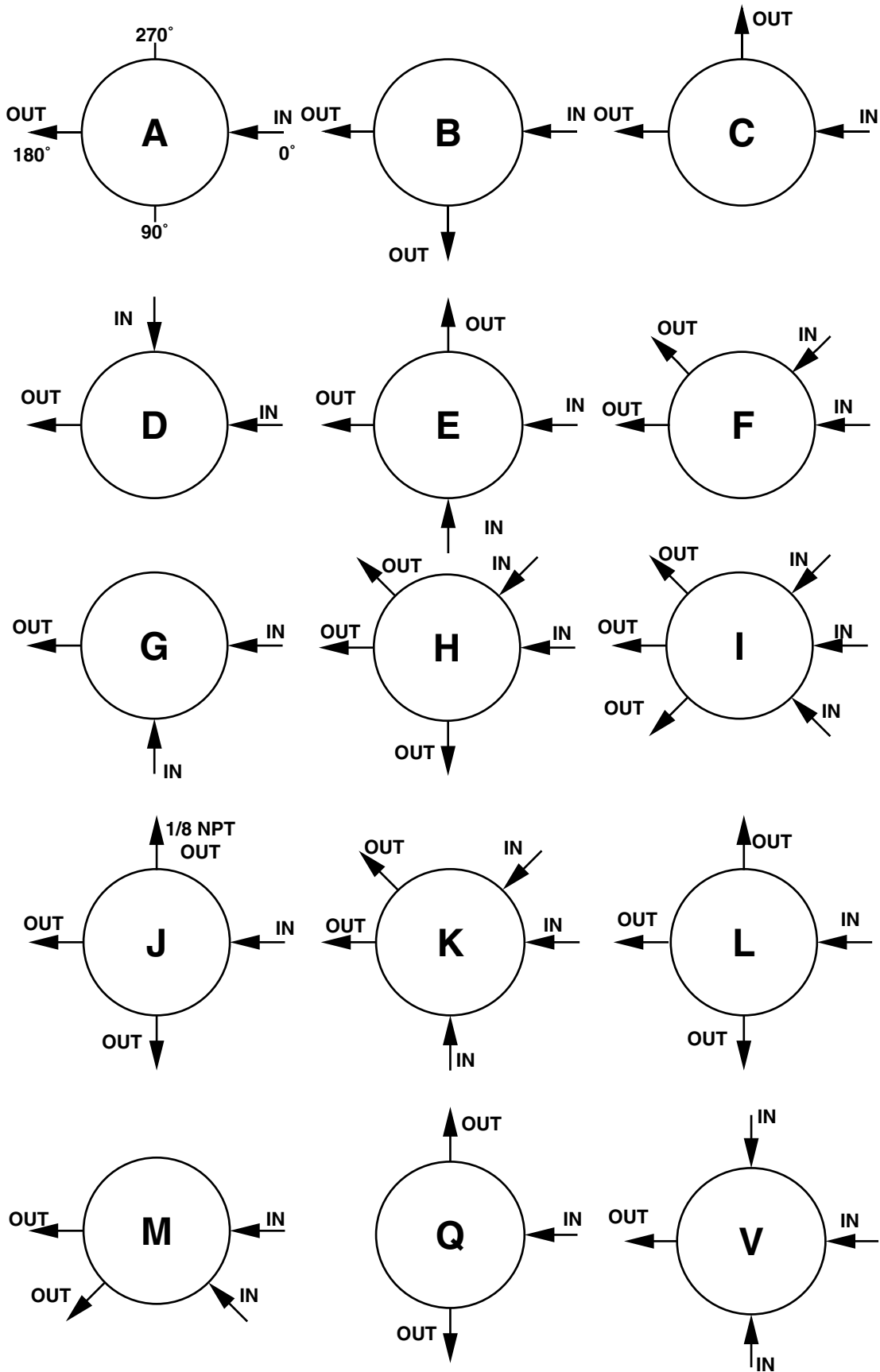
3 BP-8LF Series - Back Pressure Regulator

		Material of Body	
1	SS 316L		
2	Brass		
4	Monel		
		Port Configuration (page 28)	
		STANDARD BODY "A" (ONE INLET PORT AND ONE OUTLET PORT)	
		Process port types (gauge port type, if specified)	
1	1/4" FNPT (1/4" FNPT Gauge Ports)		
2	1/4" Tube (1/4" Tube Gauge Ports)		
4	3/8" FNPT (1/4" FNPT Gauge Ports)		
5	1/2" FNPT (1/4" FNPT Gauge Ports)		
6	1/2" Tube (1/4" Tube Gauge Ports)		
		Surface Finish of Diaphragm Cavity	
1	<25 Ra		
		Actuator Material	
B	CF Teflon		
C	Polyimide		
D	Viton		
I	High Density Teflon		
K	Kalrez		
		Flow Coefficient (Cv)	
5	0.2		
		Control Range	
B	0 - 6 Psig		
D	0 - 25 Psig		
E	0 - 50 Psig		
F	0 - 75 Psig		
H	0 - 125 Psig		
I	0 - 250 Psig		
J	0 - 500 Psig		
		Diaphragm Type	
1	Standard		
		Diaphragm Facing / Backing Material	
1	Teflon / SS		
2	Teflon / Viton		
5	Viton / SS		
6	Tefzel Ring / SS		
7	Tefzel Ring / Hastelloy C		
8	Teflon / Inconel		
0	Teflon / Hastelloy C		
		Cap Assembly	
1	Standard, S.S.		
2	T-Handle, S.S.		
3	T-Handle, Panel Mount, S.S.		
4	Panel Mount, S.S.		
5	Captured Vent, Aluminum		
6	Captured Vent, Panel Mount, Aluminum		
7	Captured Vent, S.S.		
8	Tamper Proof, S.S.		
9	Fine Adjust, 1/2" Panel Mount, S.S.		

BP 8 L -

Material	Port Config.	Port Style	Cavity Finish	Actuator Material	Flow (Cv)	Control Range	Diaphragm Type	Diaphragm Material	Cap Assembly
----------	--------------	------------	---------------	-------------------	-----------	---------------	----------------	--------------------	--------------

PORT LOCATIONS (BACK PRESSURE REGULATORS)



LOCATION OF PORTS FROM TOP VIEW