



GO REGULATOR, INC.
A division of CIRCOR International, Inc.

CYL-3 Series High Pressure Economy Brass Cylinder Regulator

The CYL-3 Series is an economical brass high-pressure regulator, designed to accept inlet pressures up to 3600 psig and deliver outlet pressures from 0–100 psig up to 0–2000 psig. This single-stage brass regulator is perfectly suited for cylinder usage with non-corrosive gases. Good regulation characteristics are provided by a carefully engineered piston sensor. Ease of outlet pressure adjustment is provided by the T-handle, which is offered as standard.

Features & Specifications

- Inlet pressures up to 3,600 psig
- Control pressures from 0–100 psig up to 0–2000 psig
- Brass (alloy 360) construction
- Stainless steel poppet
- 20 micron inlet filter
- Bubble tight shutoff
- CGA connection with integral inlet filter
- 2-inch diameter brass gauges
- C_v flow coefficients 0.06 (standard), 0.2 (optional)
- Better than 25 Ra finish in diaphragm cavity
- Optional relief valves and outlet shut off valves

2301 Wardlow Circle
Corona, CA 92880
tel 909.270.6200
fax 909.270.6201
www.goreg.com
sales@goreg.com

CYL-3 Series

High Pressure Economy Cylinder Regulator

How to Order

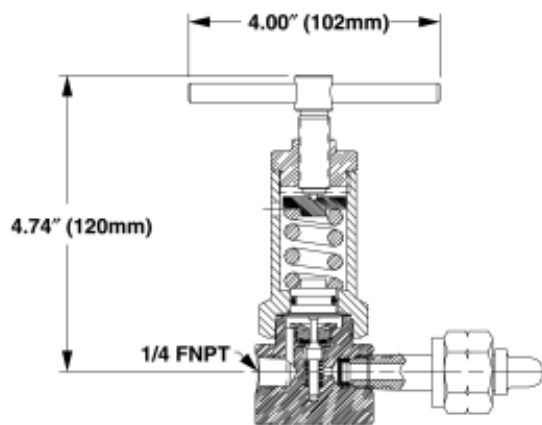
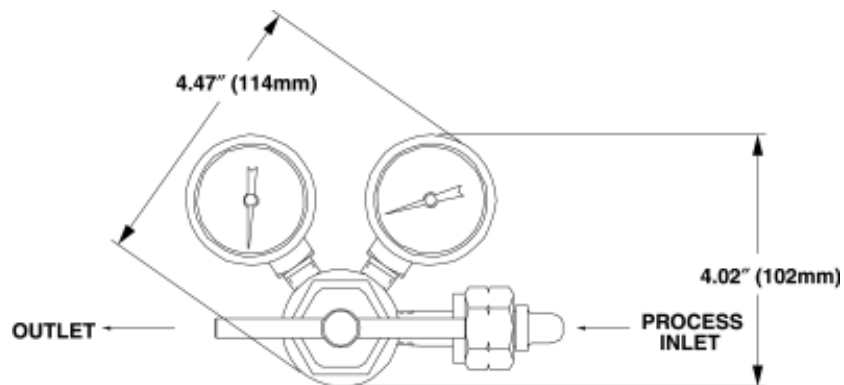
See page 3 for standard configurations. For additional configurations, consult the factory.
See page 4 for port locations.

Maximum Temperature & Operating Inlet Pressures

Seat Material	Maximum Temperature	@	Maximum Operating Inlet Pressure
Tefzel®	150° F (66° C)	@	3600 psig (24.82 MPa)
High Density Teflon®	150° F (66° C)	@	3600 psig (24.82 MPa)

Tefzel® and Teflon® are registered trademarks of Dupont.

Outline and Mounting Dimensions



Weight - 2.7 lbs (1.22 kg)

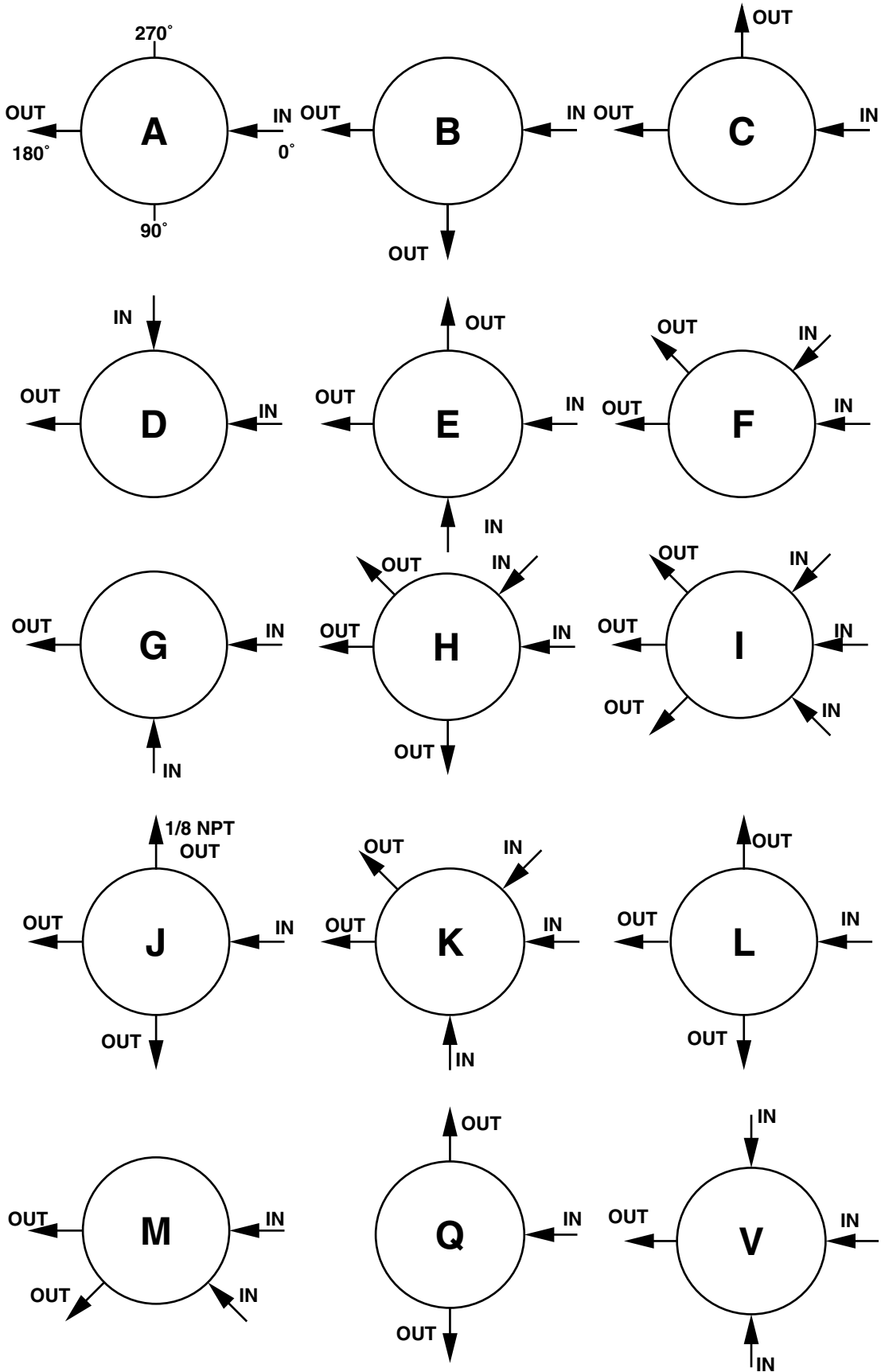
For flow curve charts, go to www.goreg.com/catalog/pr/cyl/cyl3/cyl3_flow.htm.

CYL-3 Series - Pressure Reducing Regulators

2		Material of Body									
Brass											
F		Port Configuration (see page 28)									
STANDARD BODY "F" (TWO INLET PORTS AND TWO OUTLET PORTS)											
1		Process port types (gauge port type, if specified)									
0		1/4" FNPT (1/4" FNPT Gauge ports)									
0		1/8" FNPT (1/8" FNPT Gauge ports)									
G		Output Range									
0 - 100 Psig											
I		0 - 250 Psig									
J		0 - 500 Psig									
K		0 - 1000 Psig									
L		0 - 2000 Psig									
1		Piston Type									
Non Self Relieving											
3		Self Relieving									
3		Flow Coefficient (Cv)									
0.06											
5		0.2									
A		Seat Material									
Tefzel											
I		Teflon									
1		Cap Assembly									
Standard											
4		Panel Mount									
8		Tamper Proof									
A		Low Torque									
Y		Hand Knob									
CGA Fitting											
Use 0 in all boxes to omit CGA.											
Use "CUS" in boxes for customer supplied CGA.											
1		Gauges									
Include Gauges											
2		Omit Gauges									
3		Customer Supplied									

C	3	-																		
Material	Port Config.	Port Style	Output Range	Piston Type	Flow Coefficient (Cv)	Seat Material	Cap Assembly	C	G	A	Gauges									

PORT LOCATIONS (CYLINDER REGULATORS)



LOCATION OF PORTS FROM TOP VIEW